

T3[®] Short Implant

Quick Reference Surgical Guide



Quick Reference Crestal Surgical Protocol

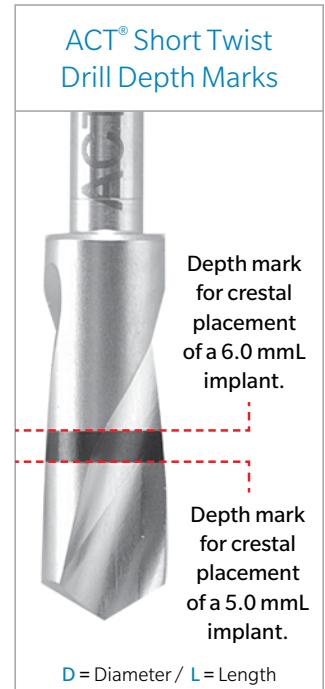
T3 Short External Hex Implants

Important Considerations:

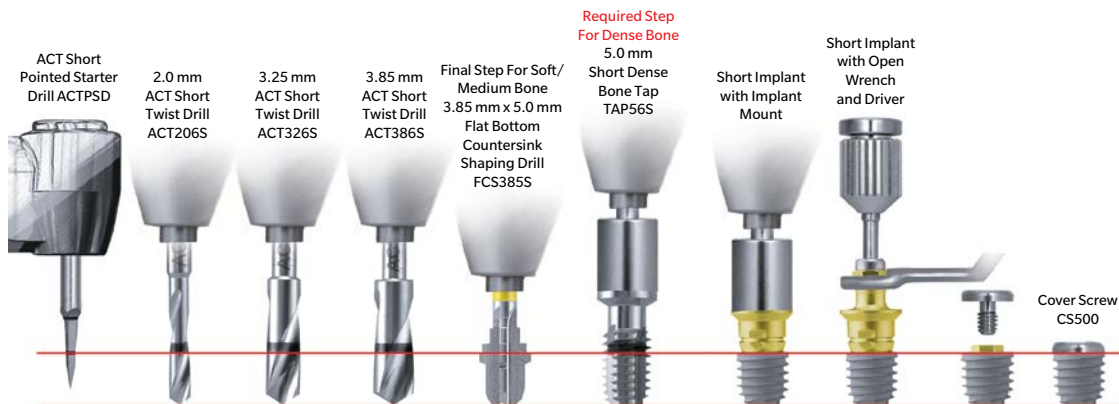
- The recommended drill speed for twist drills 3.85 mm diameter or smaller is 1200 – 1500 rpm.
- The recommended drill speed for twist drills 4.25 mm diameter or larger is 900 rpm.
- The recommended drill speed for shaping drills is 1200 – 1500 rpm.
- The shaping drills must be used without pumping actions.
- The recommended implant placement speed is 15 – 20 rpm.
- Do not initiate implant placement with the hand ratchet as hand torquing could result in off-angle placement of the implant.
- Use the drill motor handpiece to start implant placement to ensure the implant tracks / goes into the osteotomy in the same direction as drilled.
- Verify that the drill is engaged/retained within the locking mechanism of the drill motor handpiece, in order to prevent accidental swallowing or aspiration of the drill.
- When insertion torque exceeds 50 Ncm, hand ratcheting is necessary in order to fully seat the implant.
- It is recommended that reusable drills be replaced after 15 uses.
- It is recommended that manual platform switching be used to maximize crestal bone preservation.
- Tapping with a dense bone tap is required in dense bone (Type 1).

Important Note:

Exceeding insertion torque of more than 90 Ncm may deform or strip the implant placement mount or the implant's external hex and may possibly delay the surgical procedure.



T3 Short External Hex 5.0 mmD x 5.0 mmL Implants



See Surgical Manual INSTMT3S for detailed instructions.

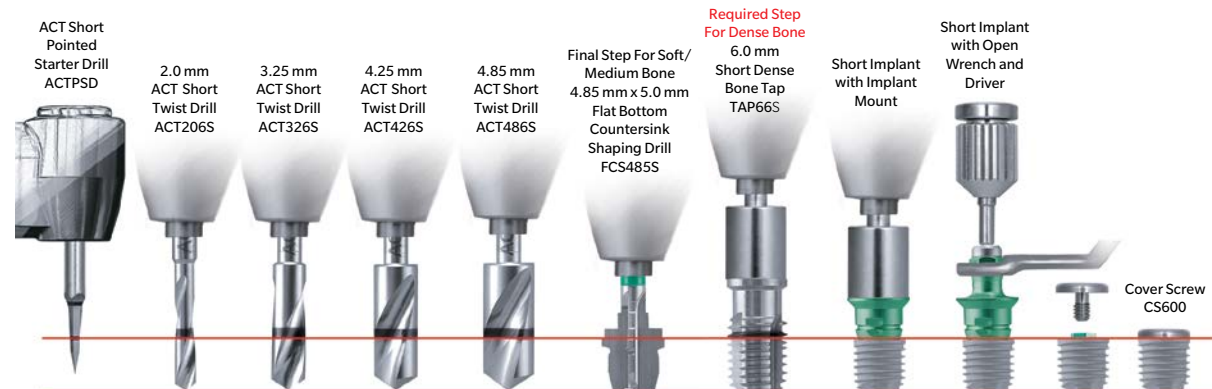


T3 Short External Hex 5.0 mmD x 6.0 mmL Implants



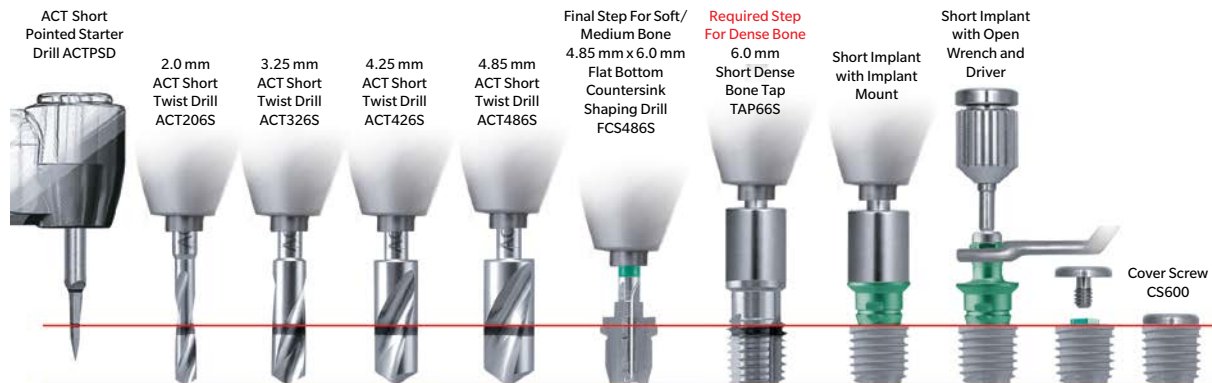
See Surgical Manual INSTMT3S for detailed instructions.

T3 Short External Hex 6.0 mmD x 5.0 mmL Implants




See Surgical Manual INSTMT3S for detailed instructions.


T3 Short External Hex 6.0 mmD x 6.0 mmL Implants



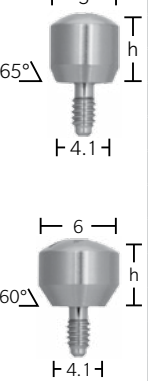
See Surgical Manual INSTMT3S for detailed instructions.

Ordering Information

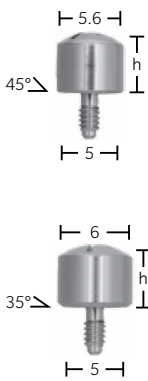
	5.0 mmD	External Hex Implants	
	Item #	Description	
	BOES505	5.0 mmD x 5.0 mmL	
	BOES506	5.0 mmD x 6.0 mmL	
	5.0 mmD	External Hex Implants with DCD® Surface	
	Item #	Description	
BNES505	5.0 mmD x 5.0 mmL		
BNES506	5.0 mmD x 6.0 mmL		

	6.0 mmD	External Hex Implants	
	Item #	Description	
	BOES605	6.0 mmD x 5.0 mmL	
	BOES606	6.0 mmD x 6.0 mmL	
	6.0 mmD	External Hex Implants with DCD Surface	
	Item #	Description	
BNES605	6.0 mmD x 5.0 mmL		
BNES606	6.0 mmD x 6.0 mmL		

Recommended Healing Abutments For Platform Switching

	4.1 mmD	Seating Surface	
	Item #	Emergence Profile	Collar Height
	THA52	5.0 mm	2.0 mm
	THA53	5.0 mm	3.0 mm
	THA54	5.0 mm	4.0 mm
	THA56	5.0 mm	6.0 mm
	THA58	5.0 mm	8.0 mm
	THA63	6.0 mm	3.0 mm
	THA64	6.0 mm	4.0 mm
	THA66	6.0 mm	6.0 mm
	THA68	6.0 mm	8.0 mm
	THA73	7.5 mm	3.0 mm
	THA74	7.5 mm	4.0 mm
	THA76	7.5 mm	6.0 mm
	THA78	7.5 mm	8.0 mm

Recommended Healing Abutments For Platform Switching


	5.0 mmD	Seating Surface	
	Item #	Emergence Profile	Collar Height
	WTH52	5.6 mm	2.0 mm
	WTH53	5.6 mm	3.0 mm
	WTH54	5.6 mm	4.0 mm
	WTH56	5.6 mm	6.0 mm
	WTH58	5.6 mm	8.0 mm
	WTH562	6.0 mm	2.0 mm
	WTH563	6.0 mm	3.0 mm
	WTH564	6.0 mm	4.0 mm
	WTH566	6.0 mm	6.0 mm
	WTH568	6.0 mm	8.0 mm
	WTH572	7.5 mm	2.0 mm
	WTH573	7.5 mm	3.0 mm
	WTH574	7.5 mm	4.0 mm
	WTH576	7.5 mm	6.0 mm
WTH578	7.5 mm	8.0 mm	


BSISK T3 Short Implant Surgical kit

This product is not available in all markets. Please contact your local Zimmer Biomet Sales Representative for availability in your market. Refer to the Surgical Catalog (INSTSUR) for more options.

Contact us at 1-800-342-5454 • 1-561-776-6700 or visit zimmerbiometdental.com

Zimmer Biomet Dental
Global Headquarters
4555 Riverside Drive
Palm Beach Gardens, FL 33410
Tel: +561-776-6700
Fax: +561-776-1272

 Biomet 3i
4555 Riverside Drive
Palm Beach Gardens, FL 33410

 Biomet 3i Dental Iberica, S.L.
WTC Almeda Park, Ed. 4, Planta 2
C/Tirso de Molina, 40
08940 - Cornellà de Llobregat
(Barcelona) Spain

All trademarks are the property of Zimmer Biomet or its affiliates, unless otherwise indicated. All references contained herein to Zimmer Biomet Dental refer to the Zimmer Biomet Dental Division. Due to regulatory requirements, Zimmer Biomet's dental division will continue to manufacture products under Zimmer Dental Inc. and Biomet 3i, LLC respectively until further notice. T3 Short Implant is manufactured and distributed by Biomet 3i. Please note that not all products are registered or available in every country/region. This material is intended for clinicians only and is NOT intended for patient distribution. This material is not to be redistributed, duplicated or disclosed without the express written consent of Zimmer Biomet Dental.

ZBINST5000 REV A 08/16 ©2016 Zimmer Biomet, All rights reserved.

